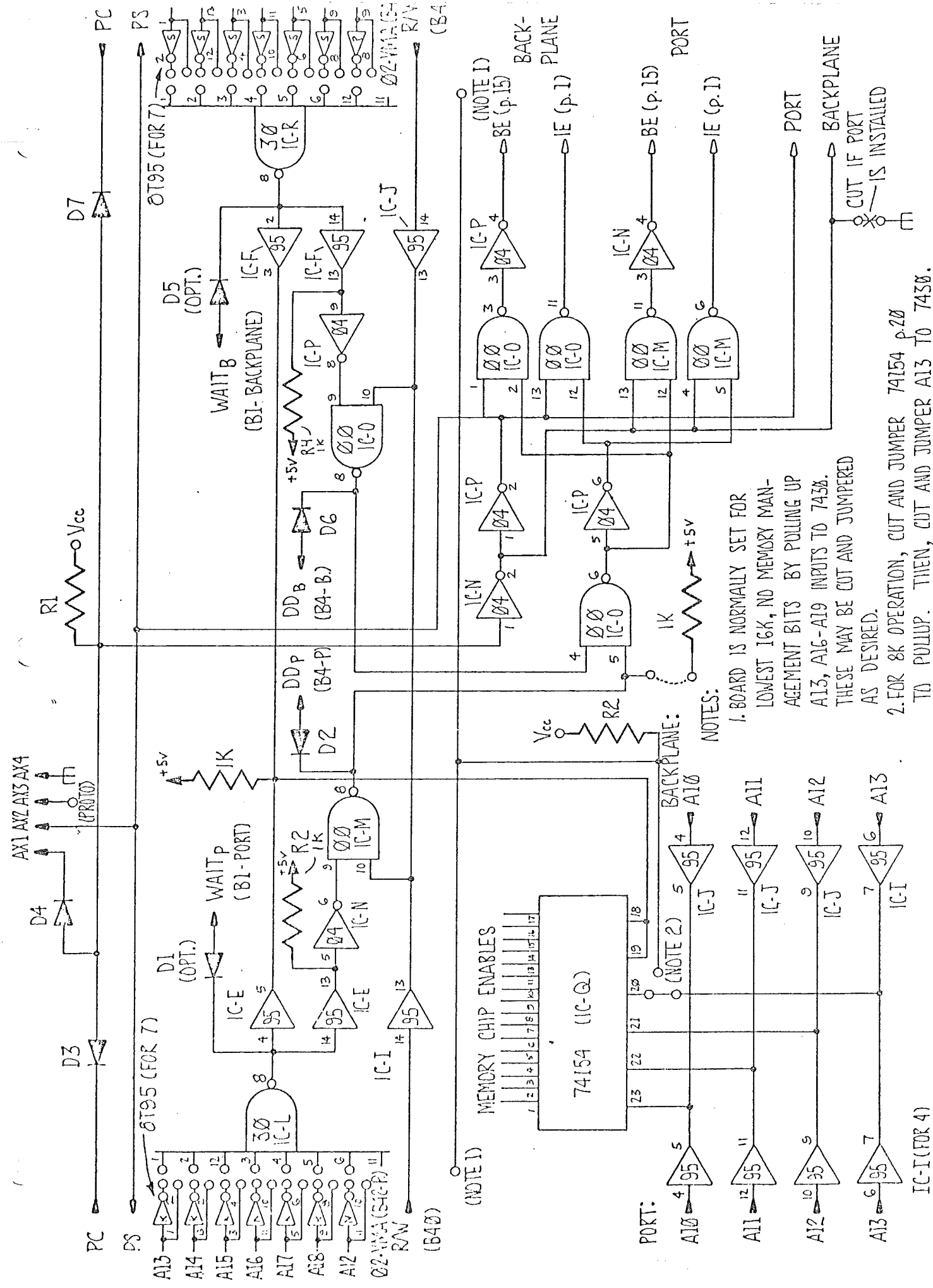


MODEL 525  
DUAL PORT STATIC RAM BOARD  
(2114 TYPE)

REV A	27 APR 1978





NOTES:

1. BOARD IS NORMALLY SET FOR LOWEST 16K, NO MEMORY MANAGEMENT BITS BY PULLING UP A13, A16-A19 INPUTS TO 7458. THESE MAY BE CUT AND JUMPERED AS DESIRED.
2. FOR 8K OPERATION, CUT AND JUMPER 74154 p.20 TO PULLUP. THEN, CUT AND JUMPER A13 TO 7458.

DIAGRAM 1 - ADDRESS DECODING AND PORT CONTROL CIRCUITRY

PORT:

BACKPLANE

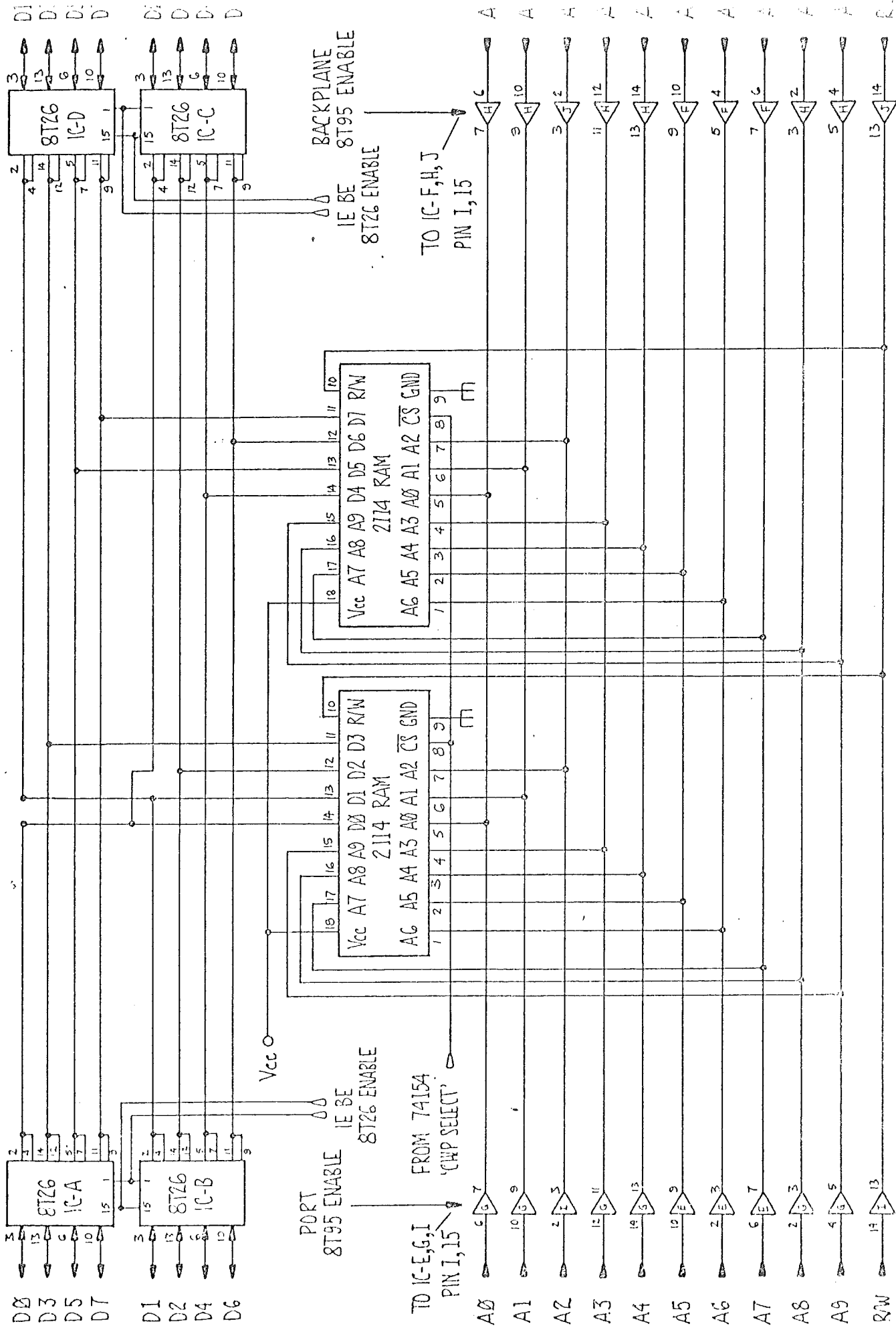


DIAGRAM 2-1-1 IMPLEMENTATION

8T95

8T95

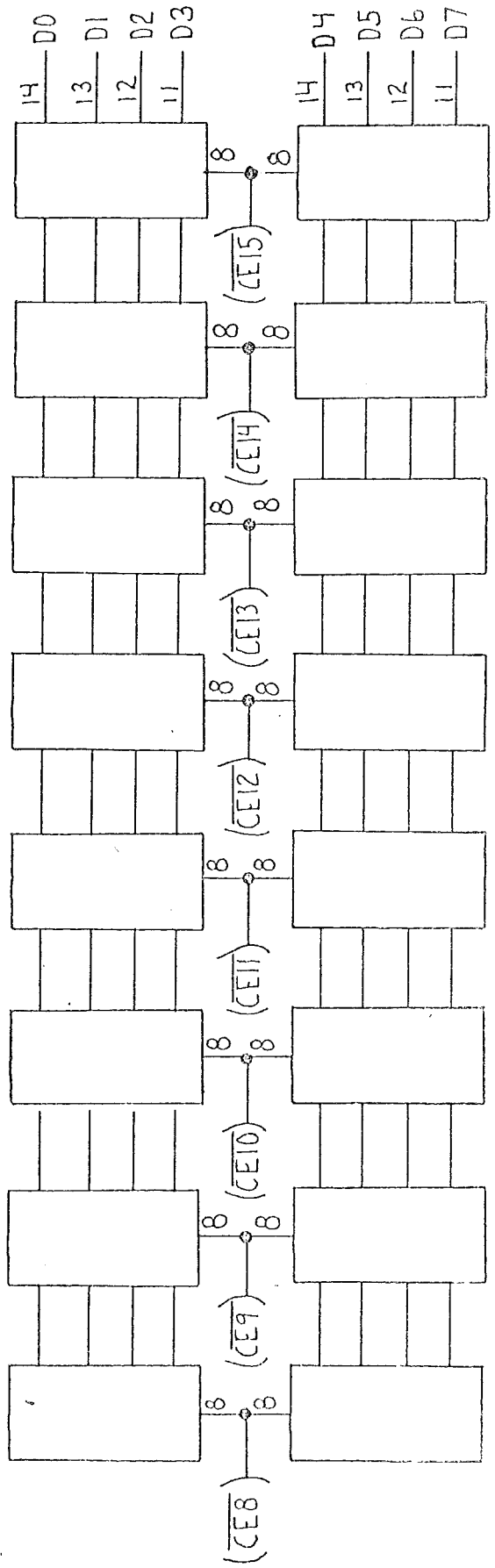
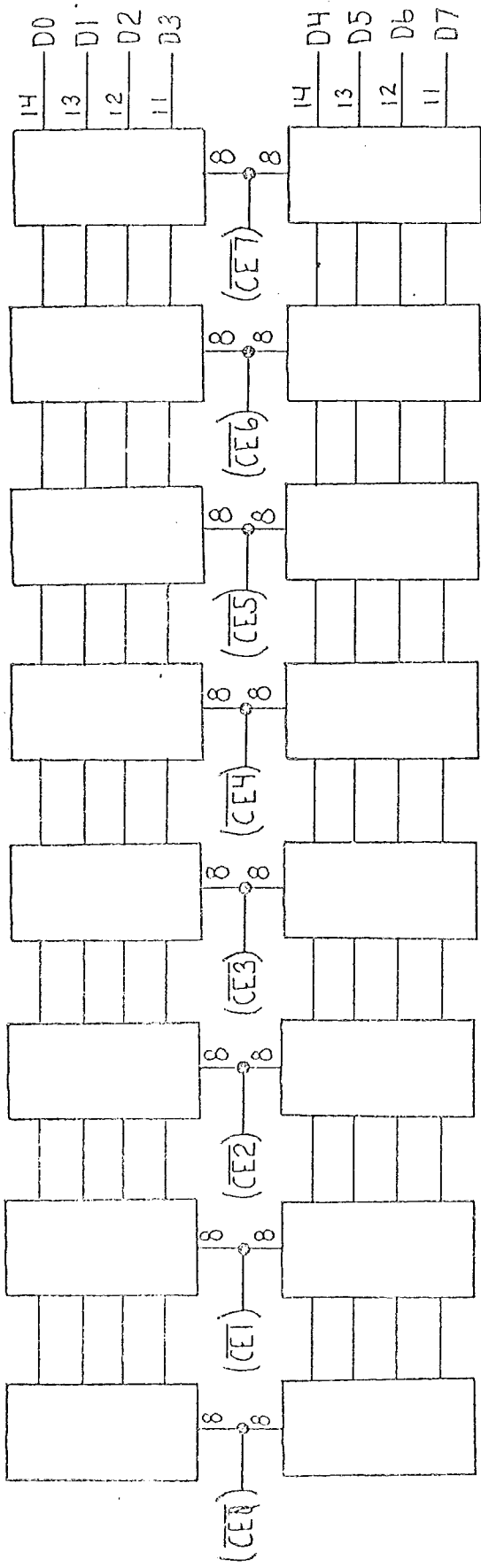


DIAGRAM 3 MEMORY ARRAY