

OHIO SCIENTIFIC

SALES/TECHNICAL

NEWSLETTER #20

September 14, 1979

Copyright 1979  
OHIO SCIENTIFIC, INC.  
All Rights Reserved.

C-1P UPGRADES

The following discussion is to clarify how dealers should handle any C-1P upgrades. Several dealers have been under the impression that upgrades have to be made in lots of at least 10 units. C-1P upgrades are available in single unit quantities with dealer prices taken from the 10 unit price.

Following is what prices and additions are necessary for the units. Prices are retail prices. All units for upgrade must come back on an RA number.

STANDARD C-1P WITH 4K of RAM

UIP1	\$ 99	Charge for configuring "A" drive and to add fan, power supply & OS-65DV3
2-4KP's	138	\$69 each
1-610 Board	299	Comes standard with 8K RAM
1-CD-3P	450	Used a "A" drive
	<u>\$986</u>	Total Cost

STANDARD C-1P WITH 8K of RAM

UIP1	\$ 99	Charge for configuring "A" drive, and to add fan, power supply and OS-65DV3
4-KP	69	
610 Board	299	
CD-3P	450	Used as "A" drive
	<u>\$917</u>	Total Cost

\*STANDARD C-1P MF SS WITH 12K of RAM

2-4KP	\$138	69 each
OS-65DV3	30	
	<u>\$168</u>	Total Cost to upgrade to a C-1P MF 20K system with DOS

\*This upgrade can be done at a dealer's location.

ATTENTION DEALERS

Some OSI C2/C3 systems shipped since July, 1979 using Siemens FD-100 Rev. D single headed floppy disk drives may have a high seek error rate when used with OS-65U.

This is caused by a mechanical resonance in the stepper motor of FD-100-D drives when stepped at a 9 ms rate with OS-65U.

Siemens FD-100-D may be identified by:

- 1) Black aluminum front and
- 2) Single head operation and
- 3) Serial number plate located between mounting holes (rather than at rear)

Item "3)" is the surest identification since Siemens has made several revisions of single headed drives with black fronts.

Siemens FD-100-D drives may be stepped at rates between 3 ms (maximum) and 8 ms (minimum).

To patch the new step rate into OS-65U, a POKE must be added to BEXEC\*. For OS-65U Release 6/79 - POKE 11895, MS. For earlier versions of OS-65U it must be determined if location 11895 currently contains 9. IF PEEK(11895)=9 THEN POKE 11895, MS otherwise POKE 11886,MS.

Above MS is an integer step rate between 3 and 8 milliseconds. OSI recommends the value of MS=5.

# OKIDATA

corporation

## TECHNICAL INFORMATION BULLETIN

**SUBJECT:** SL Printer, Power Supply Capacitor

**DATE:** August 16, 1979

**NUMBER:** 028

**FROM:** R. Bohn / Technical Support

Some Slimline series Okidata Printers shipped during May, June and July, 1979, may have defective capacitors in the power supply, in the +50 VDC circuit.

The power supplies that may be affected can be identified by the serial number of the power supply, stamped in black, on the rear of the unit. (This is not the unit serial number on the Okidata ID plate.) :

SL126/160	Power supply	Ser. No.	001 thru 150
SL250/300	" "	" "	01 thru 39

The capacitors were supplied by one of our vendors, and can be identified as follows:

MANUFACTURER	:	MEPCO
VALUE	:	31,000 ufd @ 60V
PART ID	:	31100CC313 U060
DATE CODE	:	7918

Refer to the attached drawings for locating the capacitors. The locations for the product lines involved are:

SL125/160	C1
SL250/300	C1 and C2

If this capacitor has already failed, symptoms will be one or more of the following:

- a.) Erratic or scattered print characters.
- b.) Erratic paper feed operation.
- c.) The +50 VDC voltage across the capacitor, when monitored with an oscilloscope, will appear like a sine wave ranging from 30-40 volts.

If the serial number of the power supply in your unit is in the category described previously, you are requested to make the following inspection:

- 1. Power off the printer, remove the power cord.
- 2. Remove the printer top cover by removing the 4 mounting screws.
- 3. Remove the power supply cover from the rear of the unit.

4. Fold the hinged Driver Board assembly back.
5. Inspect the capacitor (refer to drawing).

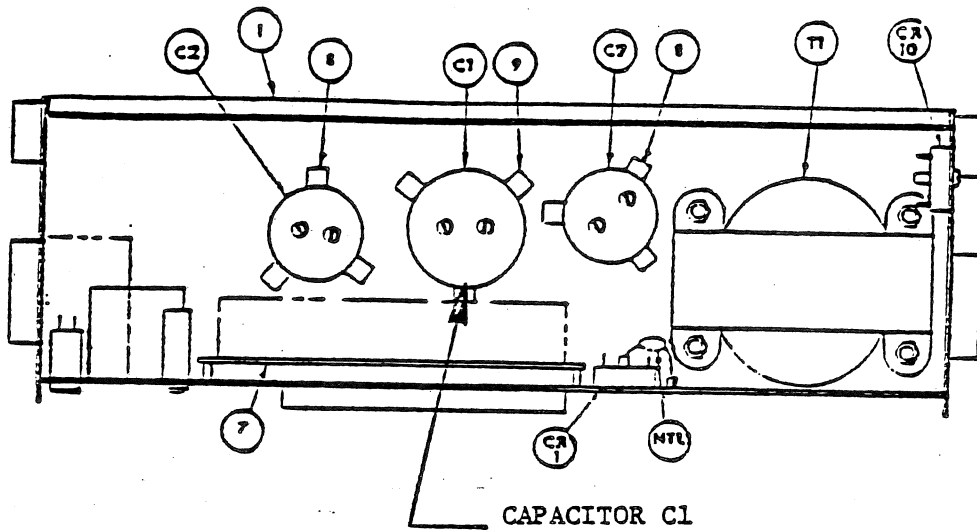
If your unit has the 7918 date code on the capacitor, Okidata will replace the cap at no cost. (Note only the capacitors indicated are in question.) You may use either of the following methods to replace the capacitor:

- A. Telephone 609-235-2600 and ask for Tech Support. Give us the Model number and Serial number of the Printer. A replacement capacitor will be sent to you. Upon receipt of the new cap, you are to return the defective one to Okidata.
- B. Return the printer to Field Engineering in Mt. Laurel, N. J. We will replace the cap and return the unit to you. YOU MUST FIRST CALL THE ABOVE NUMBER FOR AN RGA NUMBER.
- C. Write to Okidata Tech Support, give us your printer model and Serial number. Include your phone number. We will then call you.

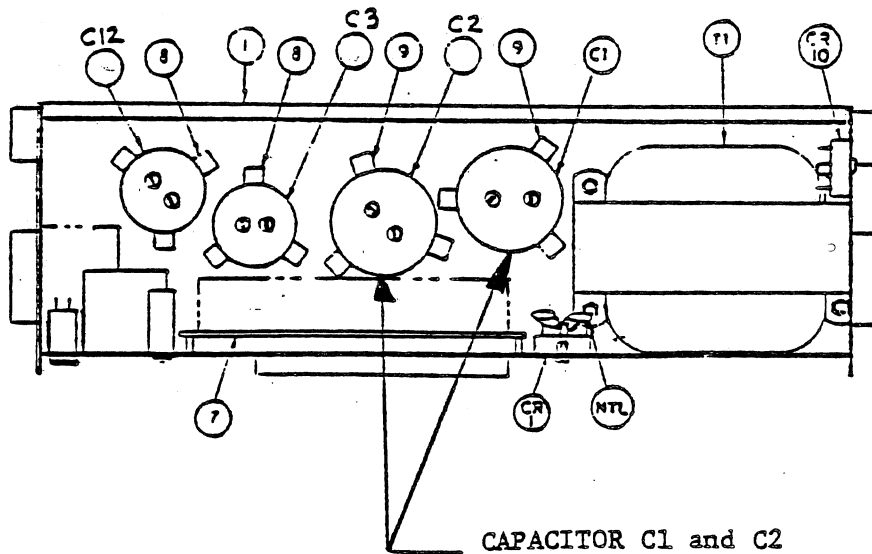
Should you choose option A, you will have to replace the capacitor at your site. This is a relatively simple procedure:

1. Remove power, and expose the power supply as described previously.
2. Remove the Pos (+) and Neg (-) terminal mounting screws, and remove wires
3. Loosen the capacitor mounting screw at the base of the cap.
4. Remove the capacitor and insert replacement.
5. Reassemble, and verify printer operation by executing self-test.

Should you have any questions, contact Okidata Technical Support at 609-235-2600.



SL125/160 POWER SUPPLY



SL250/300 POWER SUPPLY

OS-65U NEC SPINWRITER PRINTER DRIVER

Copyright 1979 by  
Ohio Scientific, Inc.  
All Rights Reserved

ENABLEMENT/DISABLEMENT OF NEC DRIVER

WARNING

THE NEC DRIVER CANNOT BE ENABLED IF THE EDITOR IS ENABLED.

1) ENTER:

RUN "NECDRV" <CR>

IF THE EDITOR IS ENABLED THE MESSAGE:

EDITOR IS ENABLED. CANNOT ENABLE NEC DRIVER.

OK

WILL APPEAR ON THE SCREEN. IF THIS HAPPENS ENTER:

RUN "EDITOR", 2400 <CR>

THEN RETURN TO STEP ONE.

2) IF THE PRINTER IS NOT POWERED UP OR IF THE PRINTER IS MALFUNCTIONING THE QUESTION:

PRINTER 6 FAILED. TRY AGAIN (Y/N) ?

WILL APPEAR ON THE SCREEN. IF THE PRINTER IS TURNED OFF, ENTER:

N <CR>

IF THE PRINTER IS POWERED UP, THEN MAKE SURE THAT THE CLEAR PLASTIC BEZEL IS CLOSED. IF YOU STILL SUSPECT TROUBLE, ANSWER THE QUESTION WITH:

Y <CR>

IF YOU AGAIN GET THE ERROR MESSAGE, ANSWER THE QUESTION WITH:

N <CR>

AT THIS POINT ONE SHOULD TRY TO PRINT SOMETHING TO THE PRINTER. IF THE COMPUTER AGAIN GIVES YOU A PRINTER STALLED MESSAGE, CONTACT YOUR REPAIR SERVICE.



- 3) IF THE PRINTER IS ON AND IS RESPONDING TO THE COMPUTER, THE MESSAGE:  
NEC PRINTER NOW ON LINE AS DEVICE NUMBER SIX (6).

OK

WILL APPEAR ON THE SCREEN

IF THE PRINTER IS NOT POWERED UP, THEN THE FOLLOWING WILL APPEAR ON THE SCREEN:

OK

- 4) AT THIS POINT THE PRINTER MAY BE LISTED OR PRINTED TO AS DEVICE NUMBER SIX (6).

EXAMPLE PRINT TO NEC PRINTER

```
FOR X=1 TO 10: PRINT #6,"X=";X:NEXT <CR >
```

TO FORCE A TOP OF FORM THE FOLLOWING BASIC STATEMENT SHOULD BE EXECUTED.

```
FOR X=1 TO PEEK (228):PRINT #6: NEXT X <CR>
```

### SPECIAL FEATURES

THE NEC DRIVER PROVIDES AUTOMATIC PAGING CONTROL. THE PRINTER WILL PRINT 60 LINES, THEN SKIP 6 LINES AND HALT. ONE MAY THEN INSERT A NEW SHEET OF PAPER. HITTING ANY KEY (USUALLY THE RETURN KEY) WILL CAUSE THE PRINTER TO CONTINUE PRINTING.

THE NEC DRIVER ALSO PROVIDES "PRINTER STALLED" ERROR DETECTION. IF THE PRINTER IS NOT POWERED UP, IS MALFUNCTION, OR IF THE PLASTIC BEZEL IS FLIPPED BACK OR THE INTERLOCK SWITCH IS ON, A "PRINTER 6 STALLED" ERROR MESSAGE WILL APPEAR ON THE SCREEN. IF THE PROBLEM IS DUE TO OPERATOR ERROR AND THE PRINTER IS FUNCTIONING CORRECTLY, HITTING ANY KEY WILL CAUSE THE PRINTER TO HOME THE CARRIAGE, DO A LINE FEED AND CONTINUE PRINTING.

### NEC DRIVER ENHANCEMENTS

TO DISABLE THE "HOLD AT END OF PAGE" FEATURE ENTER:

```
LOAD "NECDRV" <CR >
```

FOR A VIDEO SYSTEM ENTER:

```
POKE 25548,234:POKE 25549,234: POKE 25550,234 <CR>
```

(NORMALLY 25548 =32, 25549=94, 25550 =60)

NEC DRIVER ENHANCEMENTS cont.

FOR A SERIAL SYSTEM ENTER:

POKE 25164,234:POKE 25165,234:POKE 25166,234 <CR>

(NORMALLY 25164=32, 25165=100, 25166=58)

IF THESE CHANGES ARE TO BE PERMANENT ENTER:

SAVE "NECDRV", "PASS"<CR>

NOW ENTER:

RUN <CR>

TO MAKE THE CHANGES EFFECTIVE.

SETTING THE PAGING COUNTERS

AS DELIVERED, THE NEC DRIVER WILL PRINT 60 LINES AND THEN SKIP 6 LINES (60 PRINTED LINES/PAGE, 3 BLANK LINES AT TOP OF PAGE & 3 BLANK LINES AT BOTTOM OF PAGE). IF ONE WISHES TO CHANGE EITHER OF THESE PARAMETERS ENTER:

RUN "NECDRV", 10000 <CR>

THE FOLLOWING WILL APPEAR AT THE CONSOLE.

THE TOTAL NUMBER OF PRINTED LINES PER PAGE IS CURRENTLY SET TO XX.

ENTER THE NEW NUMBER OF PRINTED LINES PER PAGE?

WHERE XX STANDS FOR THE CURRENT VALUE (NORMALLY 60). NOW ENTER THE NEW VALUE FOLLOWED BY A RETURN e.g.

60 <CR>

FOLLOWING THIS WILL APPEAR:

THE CURRENT NUMBER OF LINES SKIPPED AT THE END OF EACH PAGE IS XX.

ENTER THE NEW NUMBER OF LINES TO SKIP ?

WHERE XX STANDS FOR THE CURRENT NUMBER OF LINES SKIPPED AT THE END OF EACH PAGE (NORMALLY 6). ENTER THE NEW NUMBER, e.g.:

6 <CR>

NEXT THE MESSAGE:

THE CHANGES HAVE BEEN INSERTED. TO MAKE THEM EFFECTIVE, THIS PROGRAM MUST BE RUN. IF ONE WISHES TO MAKE THESE CHANGES PERMANENT, SAVE THIS PROGRAM TO DISC BEFORE RUNNING IT.

WILL APPEAR AT THE CONSOLE. IF THE CHANGES ARE TO BE PERMANENT ENTER:

SAVE "NECDRV", "PASS" <CR>

TO MAKE THE CHANGES EFFECTIVE ENTER:

RUN <CR>

### SYSTEM COMPROMISES

ENABLEMENT OF THE NEC DRIVER DELETES SOME FUNCTIONS, THEY ARE:

FOR A VIDEO SYSTEM:

LOSS OF THE HARD DISC DRIVERS

FOR A SERIAL SYSTEM:

- 1) LOSS OF THE POLLED KEYBOARD INPUT ROUTINE.
- 2) LOSS OF THE 430 BOARD INPUT ROUTINE.
- 3) LOSS OF THE 440/540 VIDEO BOARD OUTPUT ROUTINE.