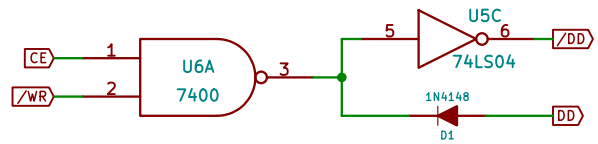
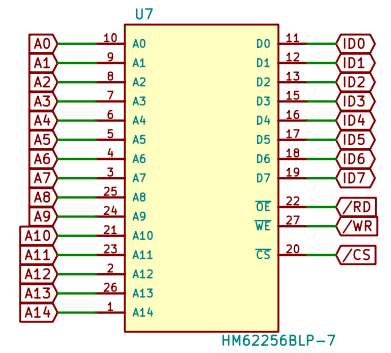


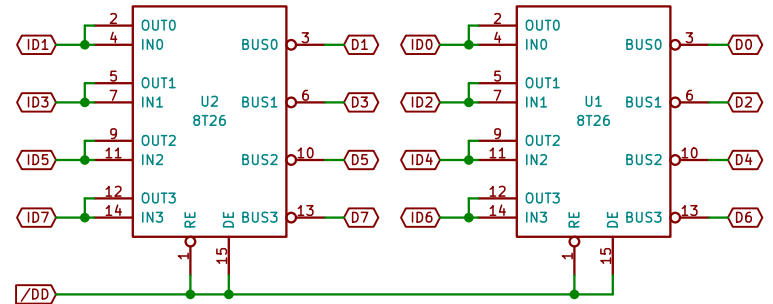
0-32K Active Segment Select



Data Direction Generator



Read and Write Generator



Data Bus Buffering

J. Chapman  
**The Glitch Works**  
 Sheet: /  
 File: osi\_ram.sch

**Title: Ohio Scientific 32K RAM**

Size: USLetter | Date: 2016-04-22  
 KiCad E.D.A. kicad 4.0.0-stable

Rev: 1  
 Id: 1/1