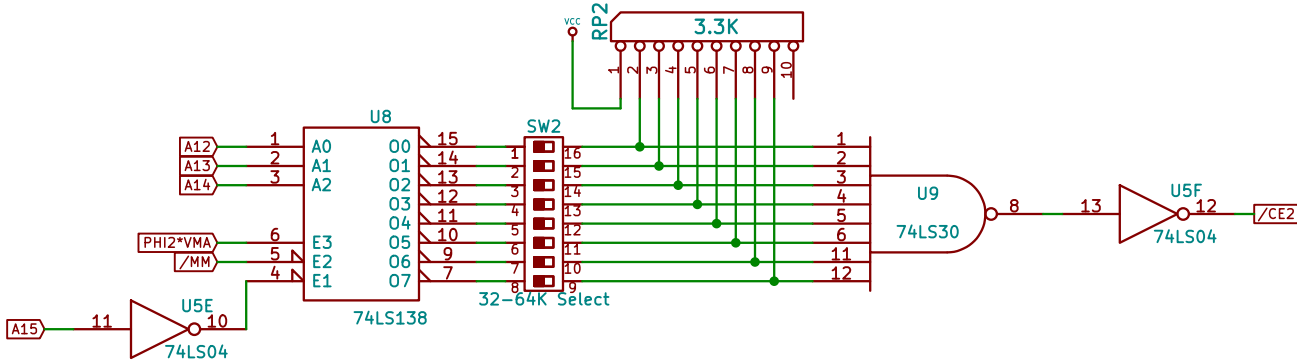
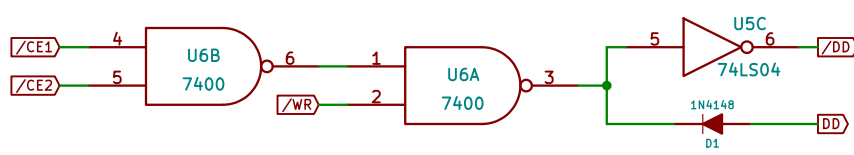


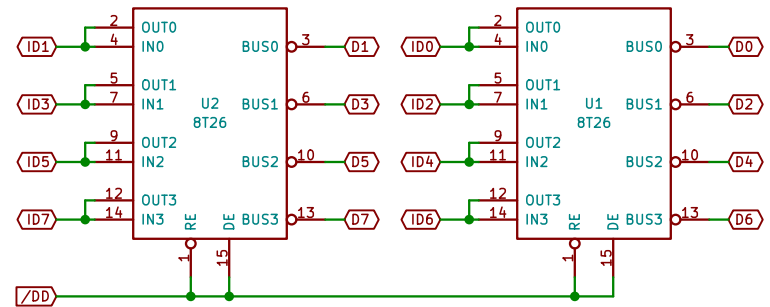
0-32K Active Segment Select



32-64K Active Segment Select



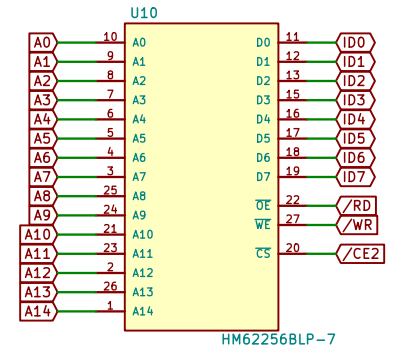
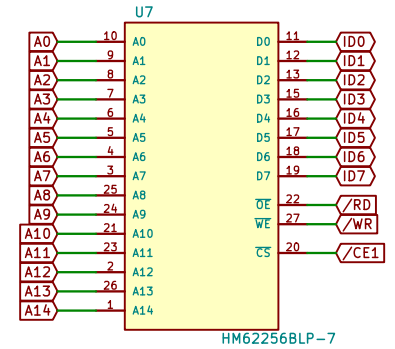
Data Direction Generator



Data Bus Buffering



Read and Write Generator



J. Chapman
The Glitch Works
 Sheet: /
 File: osi_ram.sch

Title: Ohio Scientific 64K RAM

Size: USLetter Date: 2016-05-17
 KiCad E.D.A. kicad 4.0.0-stable

Rev: 1
 Id: 1/1